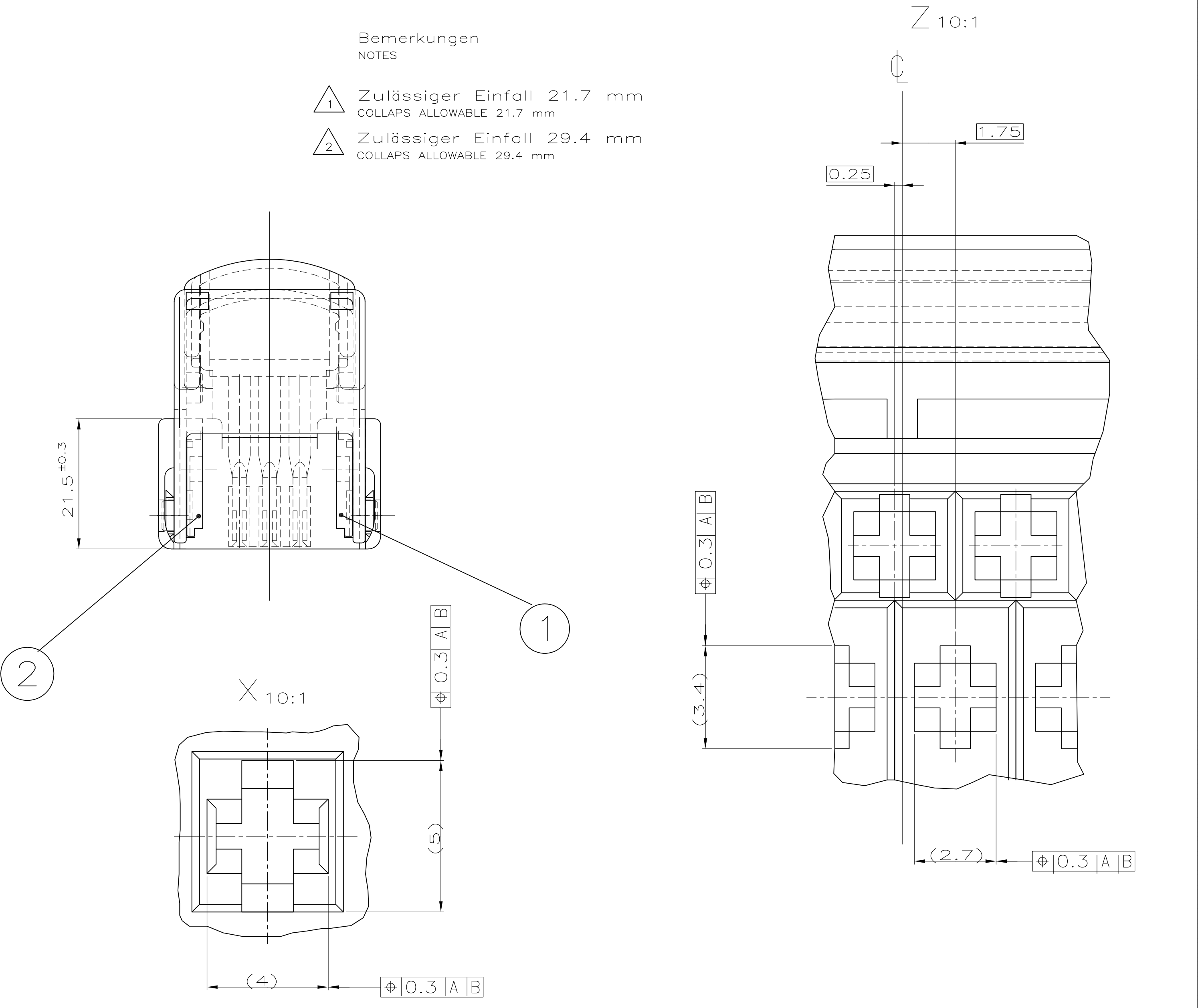


Bemerkungen  
NOTES

1 Zulässiger Einfall 21.7 mm  
COLLAPS ALLOWABLE 21.7 mm

2 Zulässiger Einfall 29.4 mm  
COLLAPS ALLOWABLE 29.4 mm



CUSTOMER PART NO	TE CONNECTIVITY PART NO	REV.	PCS.	MATERIAL	SURFACE COLOR	DESCRIPTION	ITEM NO.
-	2-968879-1	A	1	PBT-GF30	GREY	70 POS. REC. HSG., CODE B1	5
-	2-968879-1	A	1	PBT-GF30	BLACK	LOCKING CLIP	3
-	2-968879-1	A	1	PBT-GF30	RED	SLIDE (LEFT POSITION)	2
-	2-968879-1	A	1	PBT-GF30	RED	SLIDE (RIGHT POSITION)	1
-	1-968879-1	A	1	PBT-GF30	BLACK	70 POS. REC. HSG., CODE A1	4
-	1-968879-1	A	1	PBT-GF30	BLACK	LOCKING CLIP	3
-	1-968879-1	A	1	PBT-GF30	RED	SLIDE (LEFT POSITION)	2
-	1-968879-1	A	1	PBT-GF30	RED	SLIDE (RIGHT POSITION)	1

THIS DRAWING IS A CONTROLLED DOCUMENT.  
DIESE ZEICHNUNG IST EIN KONTROLLIERTES DOKUMENT.

DIMENSIONS:  
MASSENEHLEN: mm

TOLERANCES UNLESS OTHERWISE SPECIFIED:  
ALLIGERENTOLERANZEN

1 PLC ± -  
2 PLC ± -  
3 PLC ± -  
4 PLC ± -  
ANGLES / WINKEL ± -  
FINISH / OBERFLÄCHE/FARBE -

DN A. MACHILL 07-APR-97	TE Connectivity	70 POS. MIXED REC. HOUSING (60 x MT2 + 10 x JPT)	RESTRICTED TO MUR FÜR
CHK M. KRFSMANN	NAME	SIZE A1	SCALE 2:1
APVD	DRAWING NO. 00779	DRAWING NO. 968879	SHEET 1 von 1
PRODUCT SPEC PRODUKTSPEZ	APPLICATION SPEC VERARBEITUNGSSPEZ	WEIGHT GEWICHT	REV A4
CUSTOMER DRAWING / KUNDENZEICHNUNG		SCALE 2:1	REV A4